



AVTECH ELECTROSYSTEMS LTD.

NANOSECOND WAVEFORM ELECTRONICS  
SINCE 1975

P.O. BOX 265  
OGDENSBURG, NY  
U.S.A. 13669-0265

TEL: 888-670-8729 (USA & Canada) or +1-613-686-6675 (Intl)  
FAX: 800-561-1970 (USA & Canada) or +1-613-686-6679 (Intl)

info@avtechpulse.com - <http://www.avtechpulse.com/>

BOX 5120, LCD MERIVALE  
OTTAWA, ONTARIO  
CANADA K2C 3H4

## INSTRUCTIONS

MODEL AV-135A

26 dB GAIN,  $\pm 0.2V$  OUTPUT

AC-COUPLED NON-INVERTING PULSE AMPLIFIER

WITH 170 ps RISE AND FALL TIMES

SERIAL NUMBER: \_\_\_\_\_

### WARRANTY

Avtech Electrosystems Ltd. warrants products of its manufacture to be free from defects in material and workmanship under conditions of normal use. If, within one year after delivery to the original owner, and after prepaid return by the original owner, this Avtech product is found to be defective, Avtech shall at its option repair or replace said defective item. This warranty does not apply to units which have been disassembled, modified or subjected to conditions exceeding the applicable specifications or ratings. This warranty is the extent of the obligation assumed by Avtech with respect to this product and no other warranty or guarantee is either expressed or implied.

### TECHNICAL SUPPORT

Phone: 888-670-8729 (USA & Canada) or +1-613-686-6675 (Intl)

Fax: 800-561-1970 (USA & Canada) or +1-613-686-6679 (Intl)

E-mail: [info@avtechpulse.com](mailto:info@avtechpulse.com)

World Wide Web: <http://www.avtechpulse.com>

TABLE OF CONTENTS

**WARRANTY.....2**

**TECHNICAL SUPPORT.....2**

**TABLE OF CONTENTS.....3**

**INTRODUCTION.....4**

**SPECIFICATIONS.....4**

**EUROPEAN REGULATORY NOTES.....5**

**EC DECLARATION OF CONFORMITY.....5**

**DIRECTIVE 2002/95/EC (RoHS).....5**

**DIRECTIVE 2002/96/EC (WEEE).....5**

**CONTROLS.....7**

**POWER SUPPLY.....7**

**PROTECTING YOUR INSTRUMENT.....7**

**BASIC TEST ARRANGEMENT.....8**

**PERFORMANCE CHECK SHEET.....9**

Manual Reference: /fileserver/officefiles/instructword/av-135/av-135a,edition2.odt.  
Last modified February 10, 2009.  
Copyright © 2009 Avtech Electrosystems Ltd, All Rights Reserved.

## INTRODUCTION

The Model AV-135A is a DC-powered amplifier module, designed to amplify pulses in the pulse width range of 0.5 to 500 ns, and CW signals in the frequency range of 1 to 2800 MHz.

The maximum output voltage is  $\pm 0.2V$ , and the rise and fall times are 170 ps or less.

The gain is 26 dB or higher, and the amplifier is non-inverting. In voltage terms, the gain is +20 or higher.

This instrument is intended for use in research, development, test and calibration laboratories by qualified personnel.

## SPECIFICATIONS

Model:	AV-135A
Small signal bandwidth: (-3 dB)	1-2800 MHz
Gain (minimum):	26 dB
in dB:	
voltage gain (V/V):	+20
polarity:	non-inverting
Rise and fall times (20%-80%) <sup>1</sup> :	0.17 ns
Input impedance:	50 Ohms
Peak output: (to 50 $\Omega$ )	0.2 V
P <sub>1dB</sub> power out at 1 dB gain compression:	1 dBm
1P <sub>3</sub> third order intercept point:	10 dBm
Noise figure:	2.8 dB
Voltage equivalent:	30 $\mu$ V
Min. input pulse width:	500 ps
Max. input pulse width:	500 ns
Prime power:	+15V, 0.25A
Connectors:	SMA
Dimensions:	36 mm x 28 mm x 59 mm (1.4" x 1.1" x 2.3"), Avtech style B.

1) Measured for a pulse from 0V to maximum positive voltage output, between the 20% and 80% amplitude points.

## EUROPEAN REGULATORY NOTES

### EC DECLARATION OF CONFORMITY

We Avtech Electrosystems Ltd.  
P.O. Box 5120, LCD Merivale  
Ottawa, Ontario  
Canada K2C 3H4

declare that this pulse generator meets the intent of Directive 89/336/EEC for Electromagnetic Compatibility. Compliance pertains to the following specifications as listed in the official Journal of the European Communities:

EN 50081-1 Emission

EN 50082-1 Immunity

and that this pulse generator meets the intent of the Low Voltage Directive 72/23/EEC as amended by 93/68/EEC. Compliance pertains to the following specifications as listed in the official Journal of the European Communities:

EN 61010-1:2001 Safety requirements for electrical equipment for measurement, control, and laboratory use



### DIRECTIVE 2002/95/EC (RoHS)

This instrument is exempt from Directive 2002/95/EC of the European Parliament and of the Council of 27 January 2003 on the Restriction of the use of certain Hazardous Substances (RoHS) in electrical and electronic equipment. Specifically, Avtech instruments are considered "Monitoring and control instruments" (Category 9) as defined in Annex 1A of Directive 2002/96/EC. The Directive 2002/95/EC only applies to Directive 2002/96/EC categories 1-7 and 10, as stated in the "Article 2 - Scope" section of Directive 2002/95/EC.

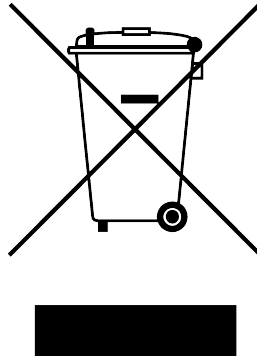
### DIRECTIVE 2002/96/EC (WEEE)

European customers who have purchased this equipment directly from Avtech will have completed a "WEEE Responsibility Agreement" form, accepting responsibility for WEEE

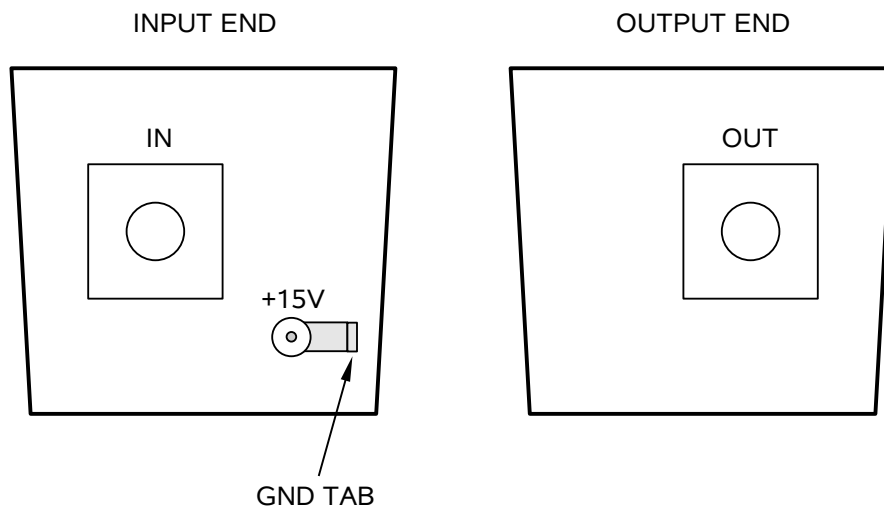
compliance (as mandated in Directive 2002/96/EC of the European Union and local laws) on behalf of the customer, as provided for under Article 9 of Directive 2002/96/EC.

Customers who have purchased Avtech equipment through local representatives should consult with the representative to determine who has responsibility for WEEE compliance. Normally, such responsibilities will lie with the representative, unless other arrangements (under Article 9) have been made.

Requirements for WEEE compliance may include registration of products with local governments, reporting of recycling activities to local governments, and financing of recycling activities.



## CONTROLS



The input and output SMA connectors are located on opposite ends of the module, as shown above.

The +15V solder pin is located on the input end. The ground tab is to the side of this solder pin.

## POWER SUPPLY

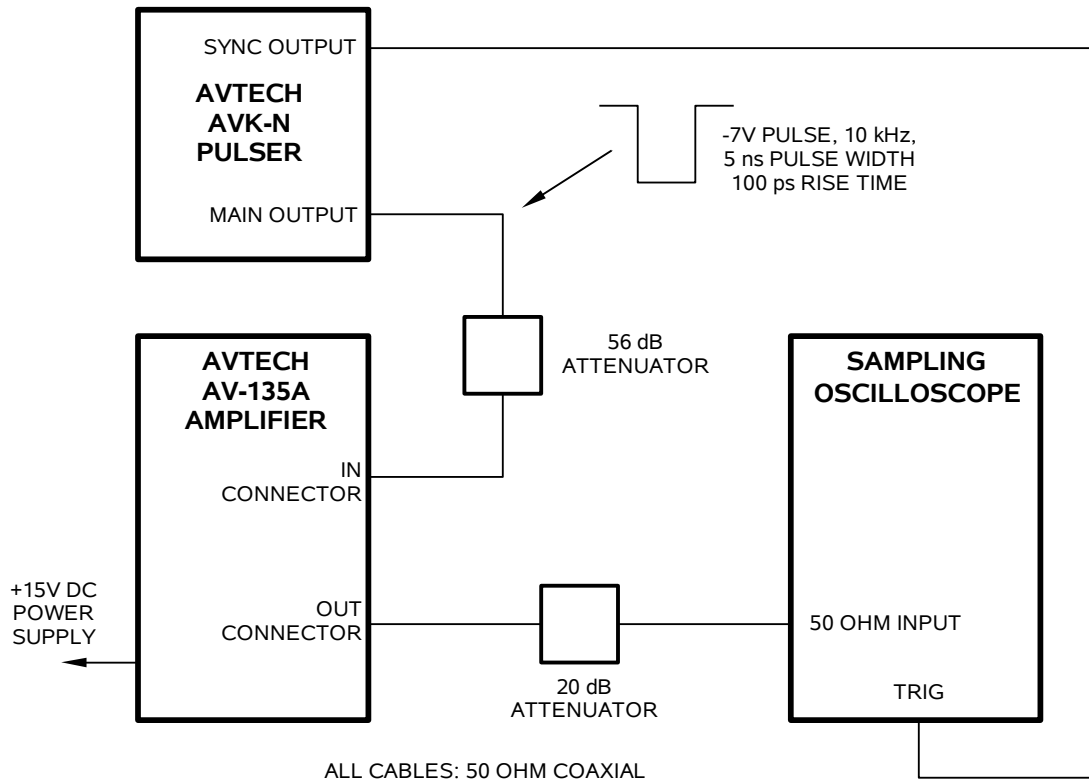
The AV-135A must be supplied with a DC power supply of +15V.

The power supply input is protected from excessive voltages and incorrect polarities by an externally-mounted (and replaceable) 1N4746A Zener diode. This diodes may be damaged by reversed polarities, or voltages exceeding  $\pm 17V$ .

## PROTECTING YOUR INSTRUMENT

**⚠** To obtain maximum performance, the input of the AV-135A is not protected against excessive input voltages. The input signal **MUST NOT EXCEED  $\pm 300$  mV!** It may be damaged by voltages greater than  $\pm 300$  mV. Failures due to the application of excessive input voltages are not covered by warranty.

## BASIC TEST ARRANGEMENT



The factory test set-up is shown above.

The Avtech AVK-N pulser generates a -7V pulse at 10 kHz, with 5 ns pulse width. The rise time is 100 ps. The 56 dB attenuator will reduce this signal to 12 mV, approximately.

The AV-135A amplifier will amplify the signal to -0.3V, approximately. The output rise time should be 170 ps or less. (Note that if a slower input signal is used, the observed output signal will be correspondingly slower.)

A 20 dB attenuator should be placed at the input of the oscilloscope, to avoid over-driving the input. Most high-bandwidth sampling oscilloscopes do not tolerate inputs of more than  $\pm 1V$ .

The bandwidth capability of components and instruments used to display the pulse generator output signal (attenuators, cables, connectors, etc.) should exceed 10 GHz.



PERFORMANCE CHECK SHEET